

磁阻式/160系列 (塑封引线型)

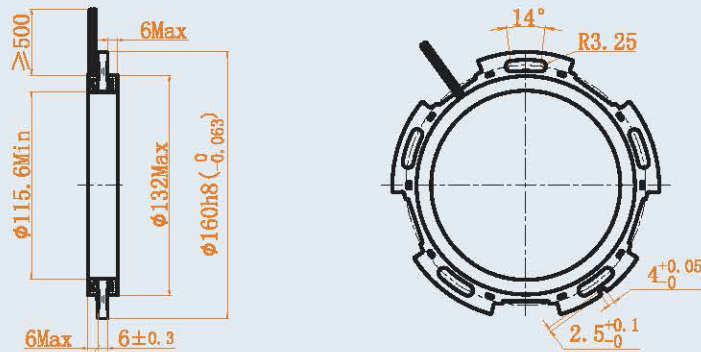


主要参数 (main parameters)

推荐型号 (Recommended models)	J160XU9738			
极对数 (Pole)	2	4	6	8
励磁电压 (Input voltage)	AC7Vrms			
励磁频率 (Input frequency)	10KHz			
变压比 (Transformation ratio)	0.286 ± 10%			
电气误差 (Accuracy)	60'	30'	20'	15'
相位移 (Phase shift)	≤ 5°	≤ 5°	≤ 5°	≤ 10°
输入阻抗 (Input impedance)	(170 ± 25) Ω	(80 ± 12) Ω	(80 ± 12) Ω	(83 ± 15) Ω
耐电压 (Dielectric strength)	AC 500V 1min			
允许最大转速 (Max operating speed)	12000 rpm			
工作温度范围 (Operating temperature range)	-40°C ~ +155°C			

外形及安装尺寸图 Outline (dimension:mm)

定子外形及安装尺寸图



转子外形及安装尺寸图

